



**Warning: Please observe installation guide  
for OPC7022 enclosure!**

**1. Installation**

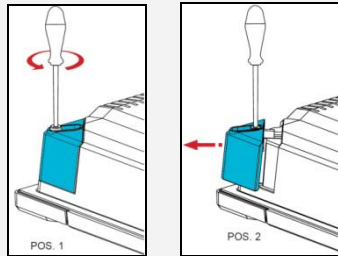
1.1 Fixing at the place of installation

OPC7008

Before the device can be integrated in the panel, the tensioner fixing screws must be loosened until the tensioners open. (Pos. 1 – pos. 2).



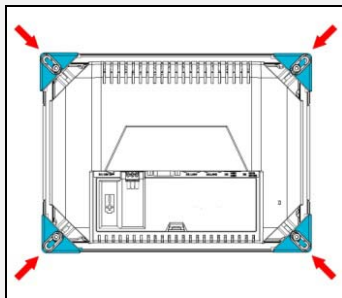
**Note:**  
Tensioners can be opened by using a 3mm Allen key.



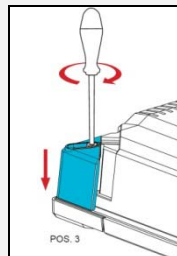
Now, position the device inside the installation recess.



**Attention:**  
In order to position the device correctly, the opened tensioners should be held back by hand while inserting the device in the installation recess.



Fasten the tensioner screws until hand-tight once the device is installed in the recess. (Pos. 3)

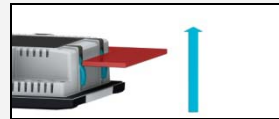


OPC7013/7015/7022

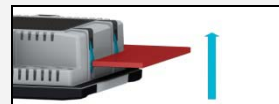
Cut the recess in the switch panel or switch cabinet door according to the dimensions shown in the installation picture. The tensioner fixing screws must be loosened. The screws can be loosened by using a TX8 screwdriver.



Then insert the device into the recess created in the described way. The tensioners will snap back.



Please make sure to insert the device carefully into the switching cabinet. After that, the tensioners will snap back to the front. Now the device is safely fixed in the installation recess.



Tensioners must be fastened hand-tight.



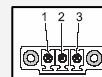
**2. Connection of supply cables**

2.1) Power supply connection

The device is supplied with power by a 24V DC (3-pin) power plug. Connect the device with a suitable power supply device.

24 V DC power supply

PIN NUMBER	SIGNAL NAME
1	24V DC
2	PE
3	0V



2.2) Connection of all required supply cables

A network connection is unconditionally required for the initial device installation.



**Note:**  
An external keyboard must be connected allowing you to enter any data into the device.

**3. Commissioning**

3.1) Switching the device on:



**Warning:**  
The device may only be switched on after acclimatising to the ambient temperature in order to avoid condensate accumulation. The same applies if the device has previously been exposed to extreme temperature variations.

You can switch the device on by using the S1 Power button at the rear panel.

3.2) Entering the Product Key:

Please enter the Product Key once prompted to do so if you have a device with a pre-installed Windows operating system. You'll find the licence number on the rear plate of the device.

3.3) PC LAN network adapter configuration  
(Explained at the example of a Windows XP installation®)

The required network settings should be made by your network administrator.



**Note:**  
We would recommend you make use of the data on our website at "www.ads-tec.de" in order to always have up-to-date information, and to quickly get comprehensive information about any technical modification.

**4. Safety Instructions**



**Warning:**  
Installation works at the device are only permitted if the device is disconnected from the power supply and protected from any accidental switch-on.



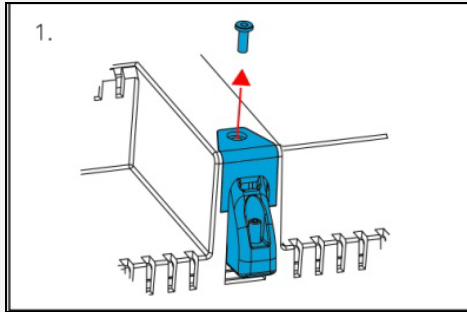
**Note:**  
Always adhere to the safety measures applicable when handling components at risk of being destructed by electrostatic discharges.  
*(DIN EN61340-5-1 / DIN EN 61340-5-2).*



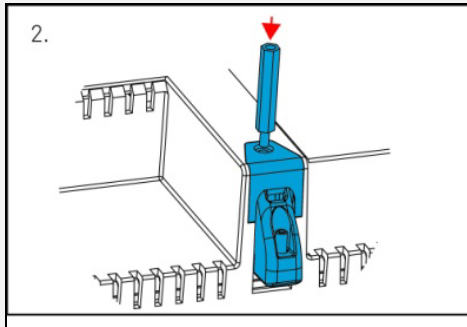
1. OPC7022 enclosure installation

OPC7022

1. Remove the screws from all Quick snap tensioners.



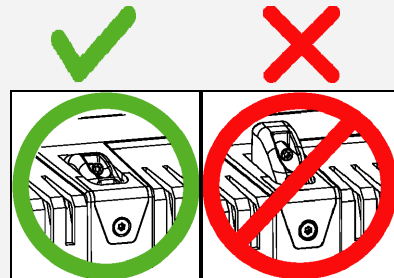
2. Screw the provided M3x30 I/A threaded bolts one each into all of the Quick snap tensioners.



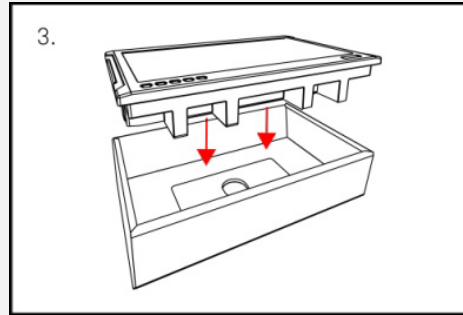
**Attention:**

For a correct device installation, the opened tensioners **must** be pushed into the panel! Refer to the picture.

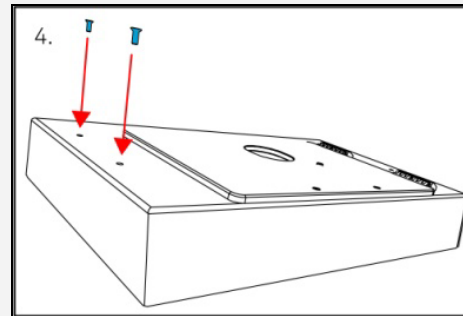
**If you don't fully observe these installation instructions, the device can no longer be removed from the enclosure!**



3. Insert the OPC7022 into the enclosure.



4. Fix the OPC7022 device in position by installing the provided screws (M3x8 Tx10) at the enclosure from the outside.



5. The drilled VESA holes are closed with plugs when the device is delivered. These plugs must be removed before installation if you go for the VESA installation option. Keep any unused holes closed with the provided plugs.

